



# MASTER LEDbulb

## MAS LEDBulb D 18-100W B22 827 A67

MASTER LEDbulb range delivers a dimmable glow effect for a welcoming, warm atmosphere, making it ideal for general lighting applications in the hospitality industry. Its unique design radiates warm light in all directions, making it a true alternative to the incandescent lamp. It is particularly suitable for public areas such as lobbies, corridors, stairwells, where the light is always on. Compatible with existing fixtures with an E27 or a B22 holder and designed for retrofit replacement of incandescent bulbs, MASTER LEDbulb delivers huge energy savings and minimises maintenance cost without any compromise on light quality.

### Product data

General Information	
Cap base	B22 [ B22]
Nominal lifetime (nom.)	25000 h
Switching cycle	50000X
Technical type	18-100W
Light Technical	
Colour Code	827 [ CCT of 2700K]
Lamp Luminous Flux 25°C EL (Nom)	1521 lm
Lamp Luminous Flux (Nom)	1521 lm
Colour Designation	Warm white (WW)
Colour Temperature, horizontal (Nom)	2700 K
Lamp Luminous Efficacy EM (Nom)	84.50 lm/W
Colour consistency	<6
Colour Rendering Index, horiz (Nom)	80
LLMF at end of nominal lifetime (nom.)	70 %

Operating and Electrical	
Input frequency	50 Hz
Power (Rated) (Nom)	18 W
Lamp current (nom.)	90 mA
Wattage equivalent	100 W
Starting time (nom.)	0.5 s
Warm-up time to 60% light (nom.)	instant full light
Power factor (nom.)	0.5
Voltage (Nom)	220-240 V
Controls and Dimming	
Dimmable	yes
Approval and Application	
Suitable for accent lighting	Yes
Energy efficiency label (EEL)	A+
Energy Consumption kWh/1000 h	18 kWh

# MASTER LEDbulb

## Product Data

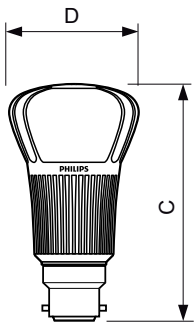
Full product code	871829175858700
Order product name	MAS LEDBulb D 18-100W B22 827 A67
EAN/UPC – product	8718291758587
Order code	929000276902
Numerator – quantity per pack	1

Numerator – packs per outer box	6
Material no. (12NC)	929000276902
Net weight (piece)	0.245 kg

## Warnings and Safety

- Operating temperature range is between -20° C and 45° C ambient
- Only to apply in dry or damp locations and most of open fixtures with lamp-holders that offer sufficient space (10 mm free air space)
- Not intended for use with emergency light fixtures or exit lights

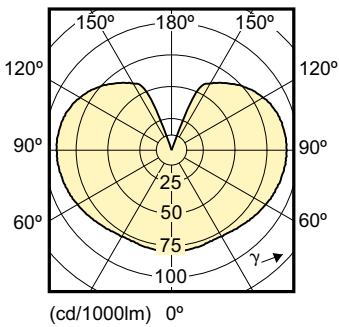
## Dimensional drawing



LED D 18-100W B22 827 A67

Product	D	C
MAS LEDBulb D 18-100W B22 827 A67	66 mm	122.6 mm

## Photometric data



# MASTER LEDbulb

